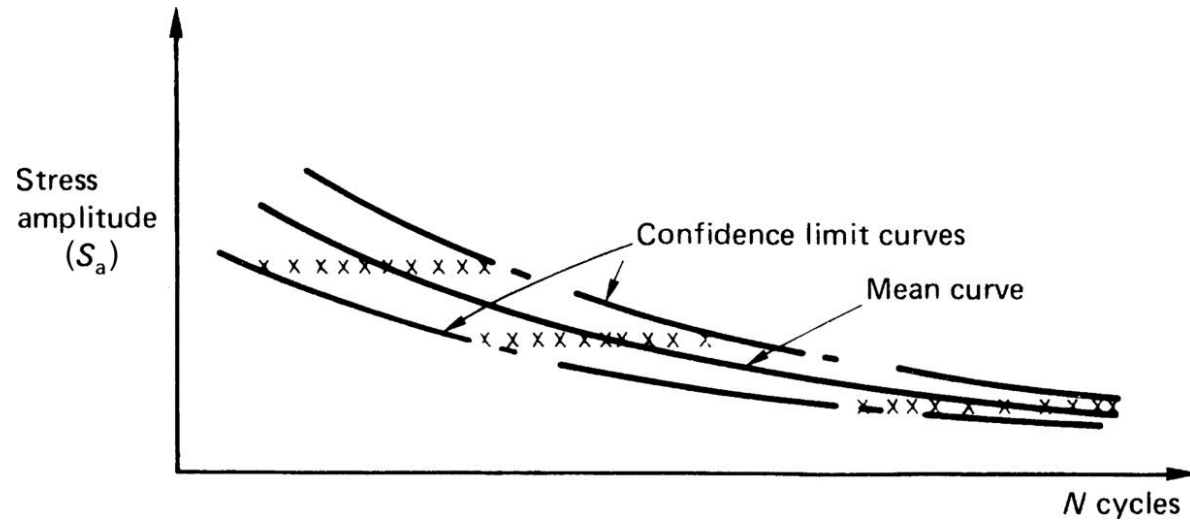
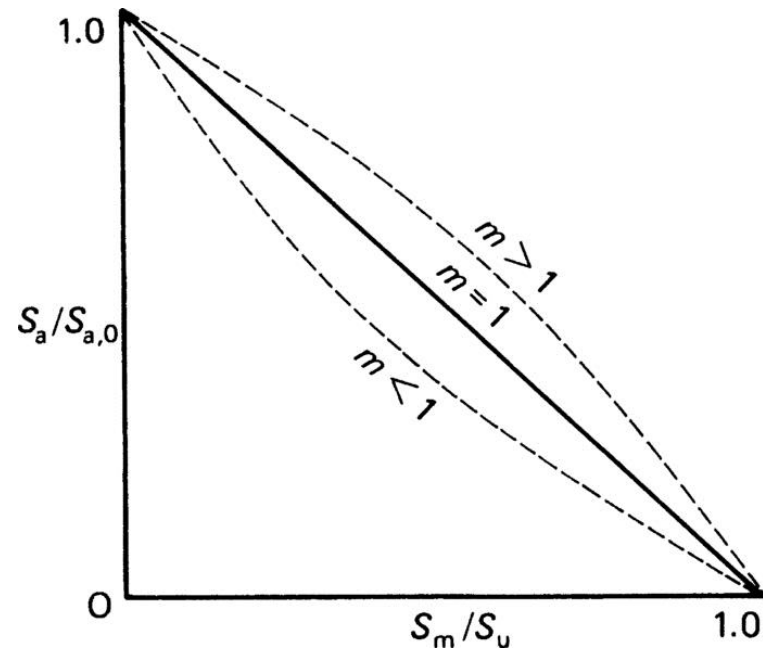


# Chapter 15

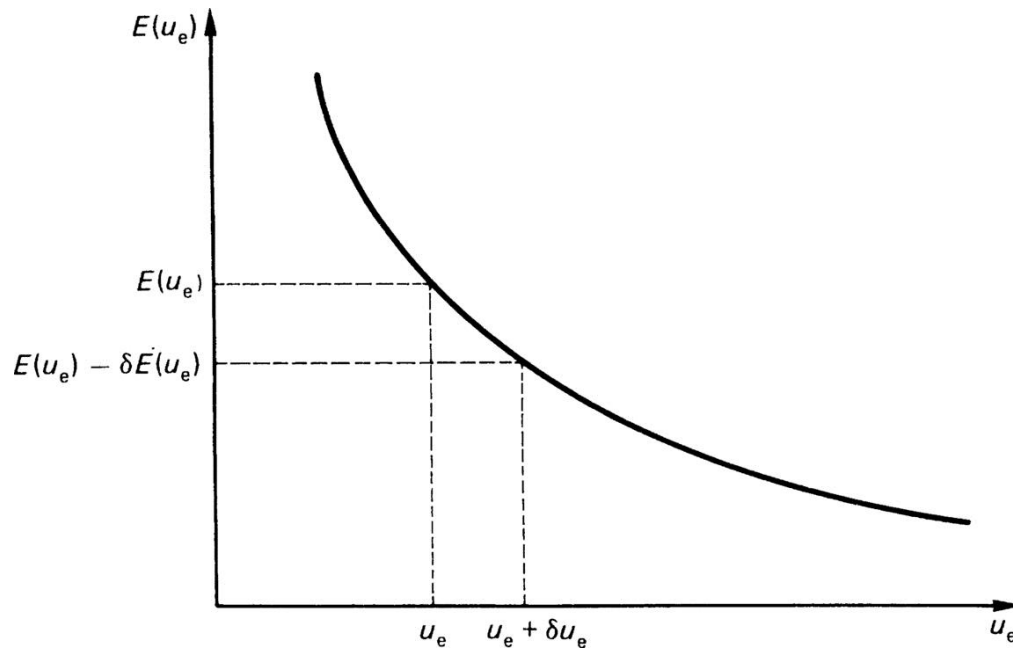
## Fatigue



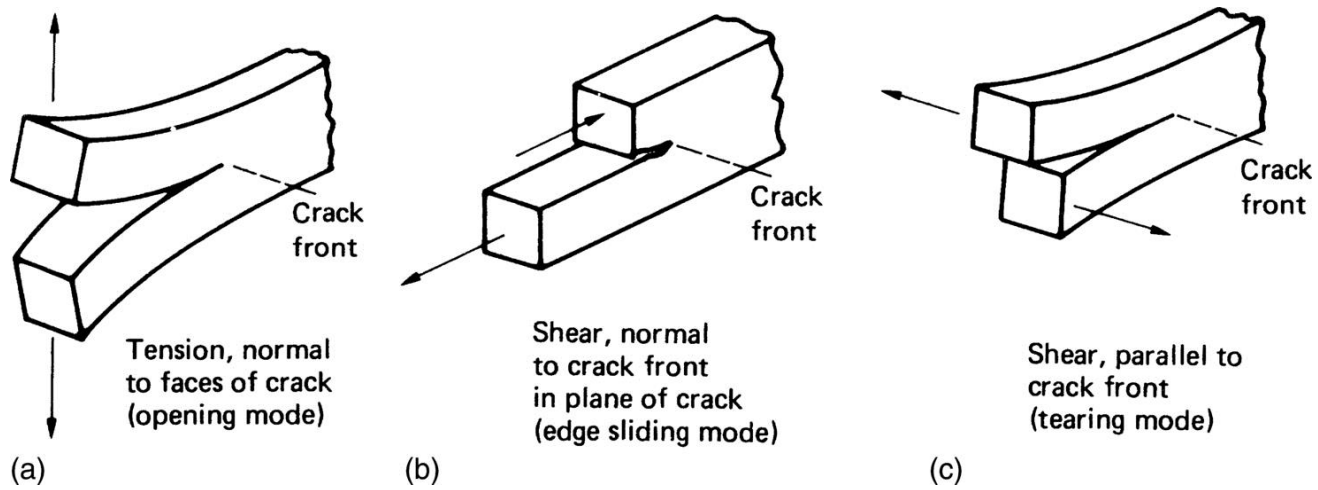
**FIGURE 15.1**  $S$ - $N$  Diagram



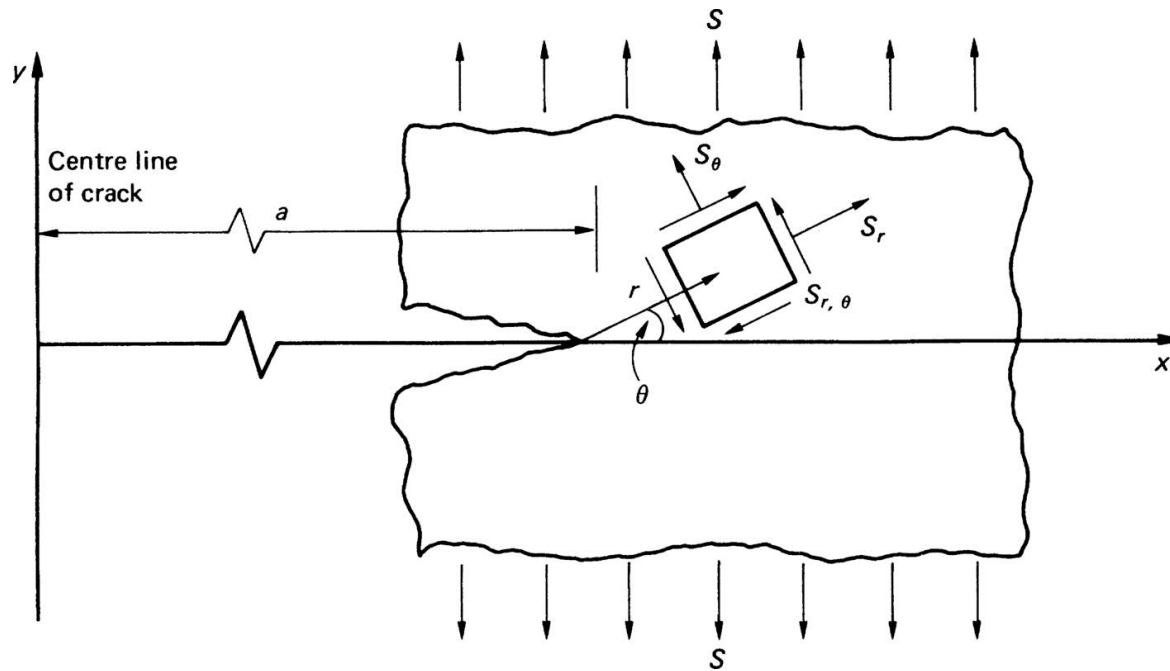
**FIGURE 15.2** Goodman Diagram



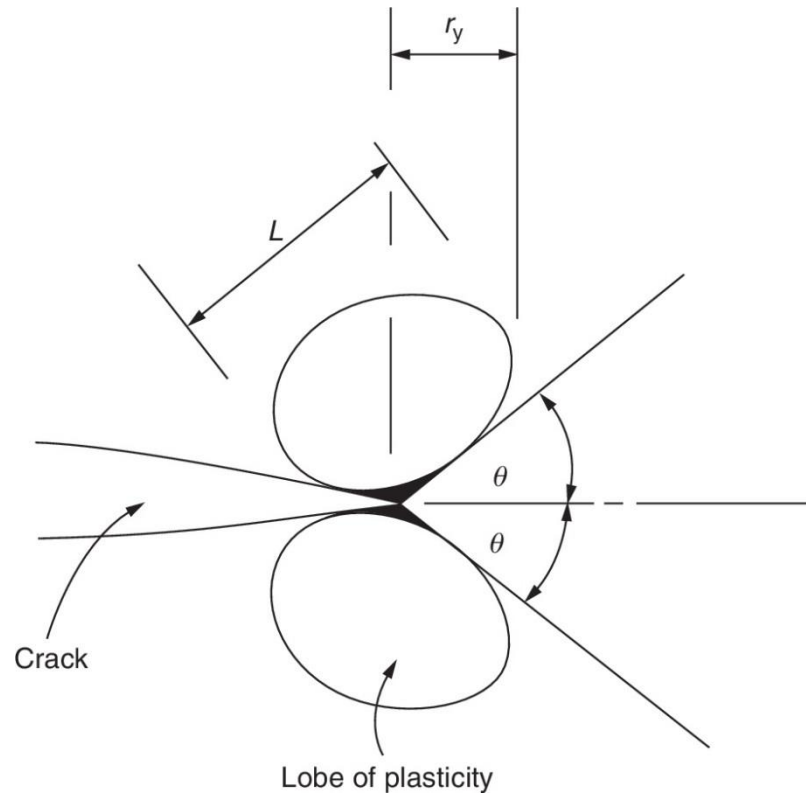
**FIGURE 15.3** Gust Exceedance Curve



**FIGURE 15.4** Basic Modes of Crack Growth



**FIGURE 15.5** Stress Field in the Vicinity of a Crack



**FIGURE 15.6** Plane Strain Plasticity